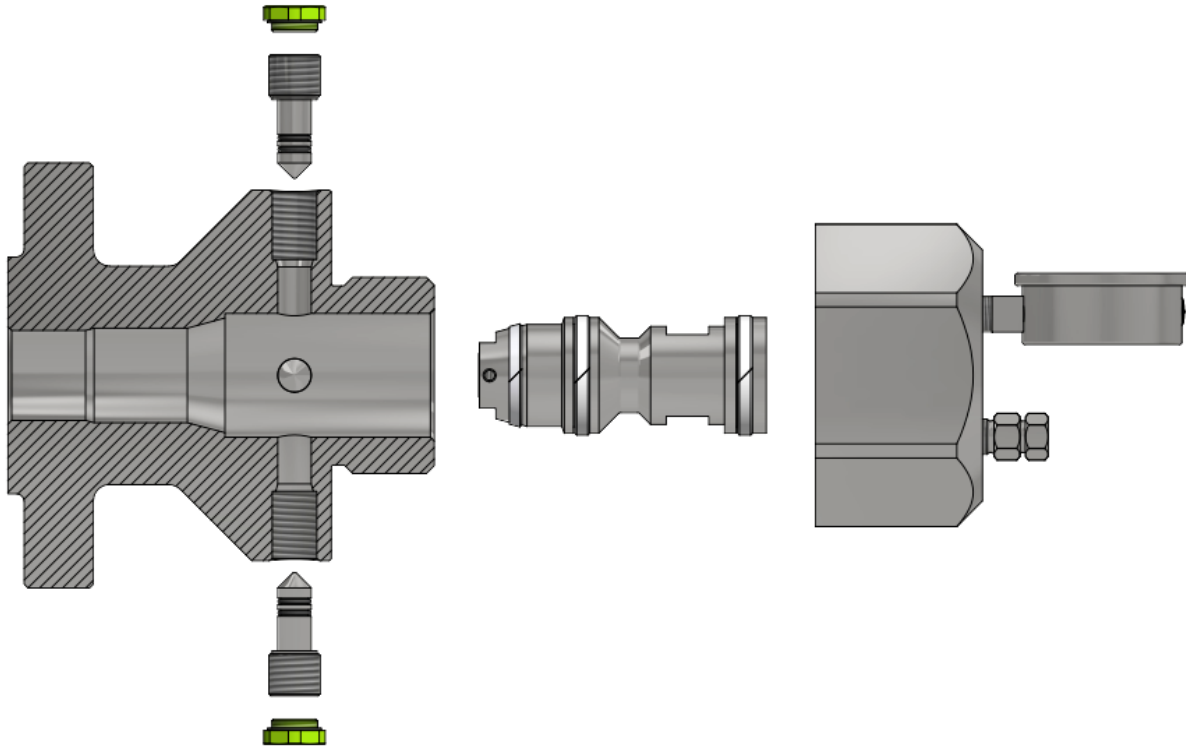


AX2HPH – HYDRAULIC SYSTEM

2" HP Hydraulic Access Fitting System

Rated up to 10,000 psi/690 bar and 232°C / 450°F



High Pressure Access Systems

Axess offers a complete range of high pressure access fitting assemblies for installation of intrusive corrosion monitoring and chemical injection devices. The product range comprises both the 2" mechanical system as well as the 2" hydraulic system.

The Axess-Corrosion Hydraulic Access and Retrieval System provides a complete solution for the online safe, reliable installation and retrieval of probes and coupons from high pressure piping, and vessels at pressures up to 10,000 PSI (690 Bar) and temperatures of up to 204 °C (400 °F).

Axess 2" Hydraulic Access Products are compatible and interchangeable with industry standard products also supplied by other vendors.

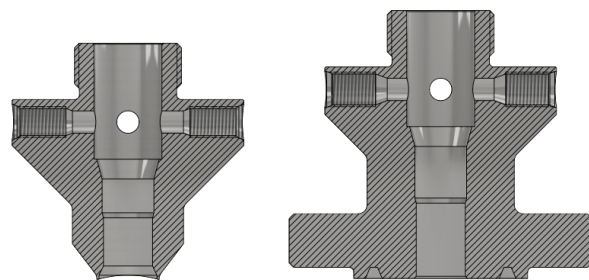


Axess 2" Hydraulic Access and Retrieval system comprises the following components:

- High pressure hydraulic access fitting
- Hydraulic hollow and solid plugs
- Heavy duty pressure retaining covers (up to 10,000 PSI/690 Bar)
- Hydraulic retrieval tool and service valve (see separate brochure and data sheet)

Hydraulic Access Fittings

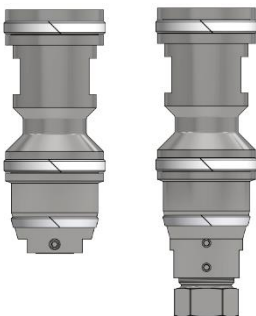
The Hydraulic Access Fitting is available in flareweld and flanged versions and are manufactured in ASTM A105, ASTM A350 Gr.LF2 and Duplex steel as standard materials. However, other versions (e.g. HUB fittings) and materials are available upon request.



Hydraulic Access Fittings meet NACE MR0175 (sour service) requirements. NORSOK specification upon request. PED compliance available.

Axess 2" Hydraulic Access Systems are also available for injection and sampling applications, see applicable datasheets or contact an Axess expert for further information.

Hydraulic Hollow and Solid Plugs



The Hollow or Solid Plug provides the pressure seal in the access fitting and is the carrier for the corrosion monitoring device (probe or coupon holder). The primary packing and guide rings are made from PTFE (15% glass filled) as standard but are available in a range of materials including metal seals for high temperature service.

Hydraulic hollow plugs are used for online probes including ER (Electric Resistance) and LPR (Linear Polarization Resistance) probes.

Hydraulic solid plugs are used for passive monitoring devices including weight loss coupons, bio coupons and injection/ sampling equipment.

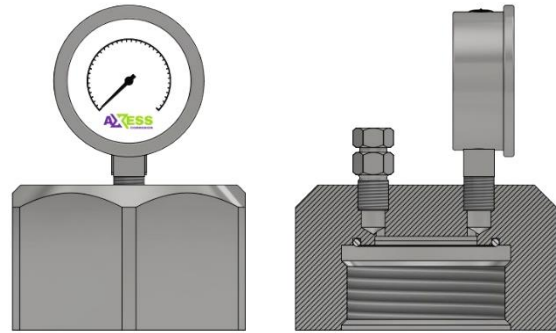
Special plug designs are available for high velocity applications, based on results from wake frequency calculations.



The Hydraulic Access Fitting has an ACME threaded outlet to mate with the service valve of the Hydraulic retrieval tool system. The Hydraulic Access Fitting uses 4 locking pins to secure the hollow/solid plug during operations. A protective cover is used to maintain the integrity of the external ACME threaded section.

Hydraulic Access Fitting Covers

The Pressure Retaining Cover provides secondary isolation up to 10,000 PSI / 690 Bar (subject to material). 2-hole pressure retaining covers are used for coupon locations and incorporate a pressure gauge and bleed port for assessment and servicing. For probe locations 3-hole pressure retaining covers also include a central hole for installation of a probe adaptor.



Lighter duty covers in vinyl or carbon steel are available for thread protection during transport and installation only. Axess recommends all HP Access Fittings, once commissioned, are installed with Pressure Retaining Covers.

Please visit www.Axess-Corrosion.com/resources for more information or contact an Axess expert to discuss your monitoring requirements.

Sample Part Numbering:

